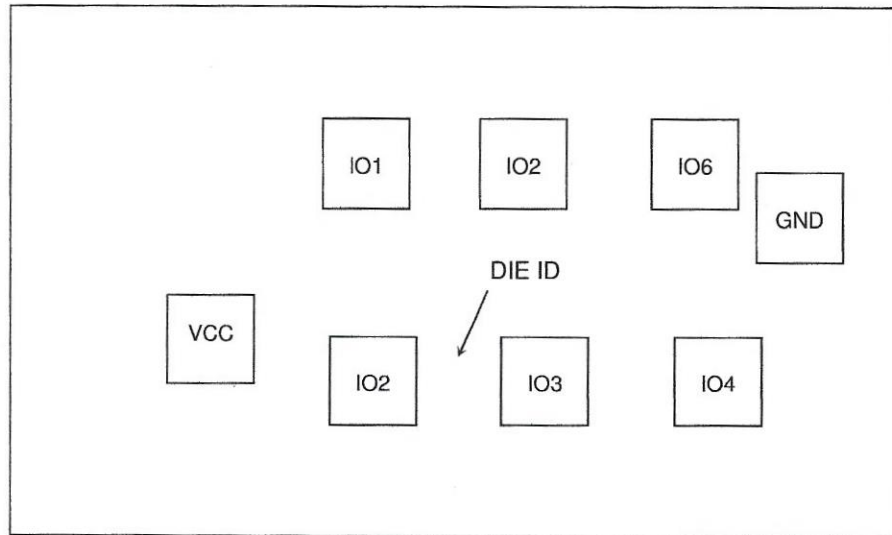




Sierra Components, Inc.

2222 Park Place, 3-E • Minden, Nevada 89423

Phone: 775.783.4940 Fax: 775.783.4947



NOTE

- This data is supplied for general information only and is believed to be correct at the time of publication.
- For critical applications, the customer is advised to verify device revision and pad

DEVICE	TPD2E ARRAY	DIE SIZE (MILS)	31 X 18
MANUFACTURER	TEXAS INSTRUMENTS	BOND PADS MIN (MILS)	3 X 3
APPROVED BY	GEW	TOP METAL	Al
DATE	29/11/17	BACK METAL	Si
SERIAL NUMBER	0374	BACK POTENTIAL	GND OR FLOAT

APPROVED BY: MG

DIE SIZE: 31 x 18 Mils

DATE: 11/29/17

MFG: Texas Instruments

P/N: TPD3E001/TPD2E ARRAY